

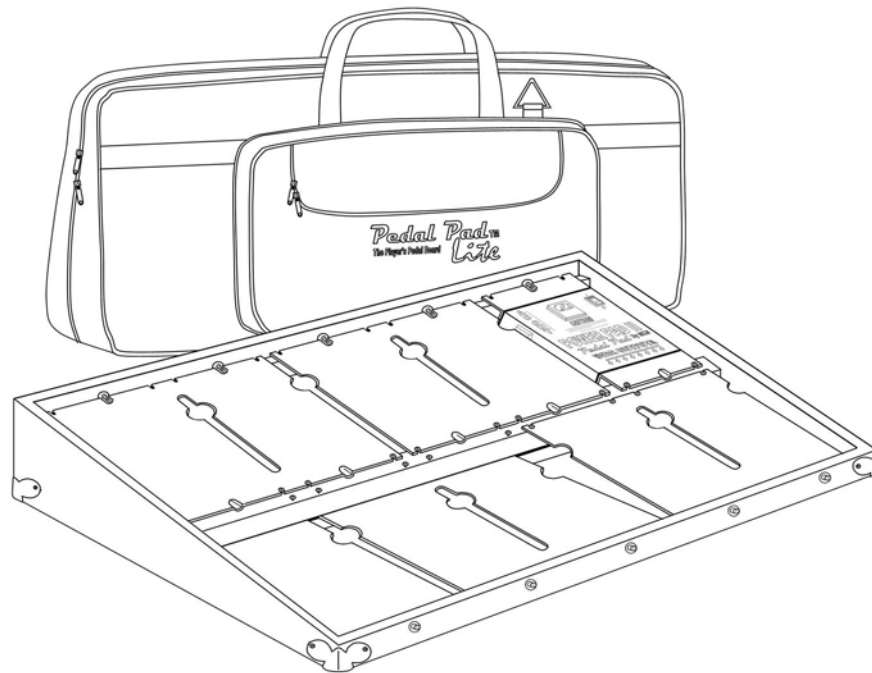
Pedal Pad™ *Lite*

"The Player's Pedal Board"

Instruction Manual

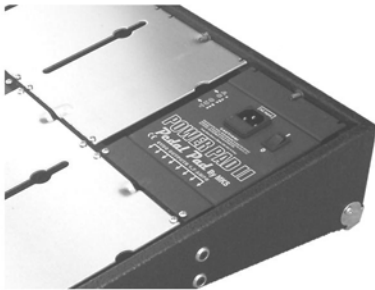
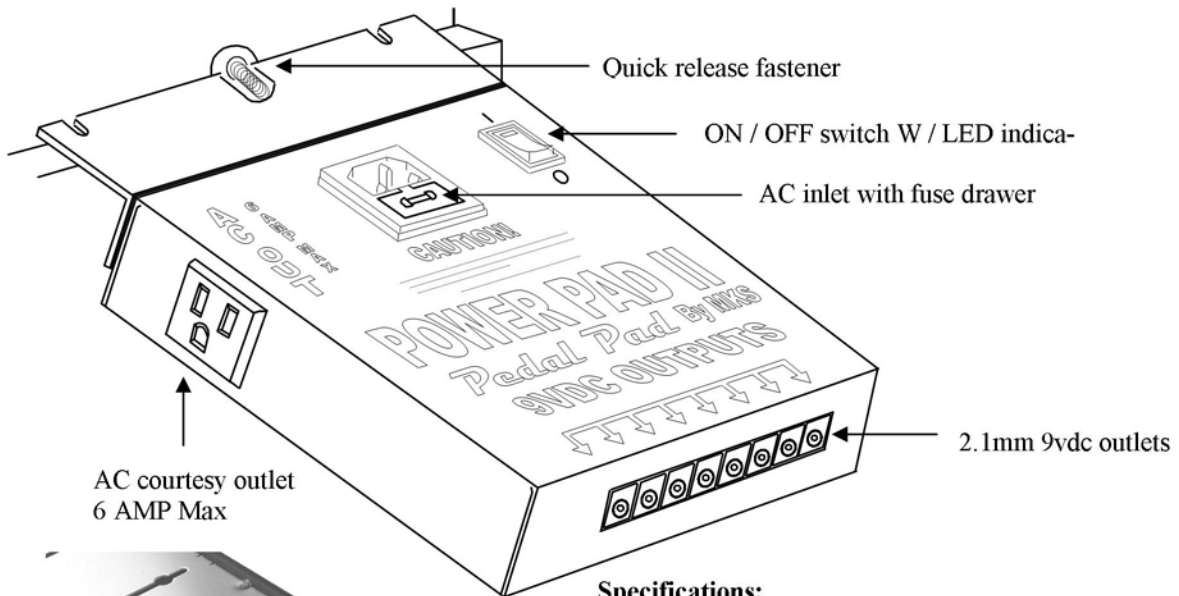
For Models

MPS-XL *Lite*
MPS *Lite*
& AXS *Lite*



Page 3:	Powering your pedals with the Power Pad II
Page 4:	MPS & MPS-XL Lite models
Page 6:	AXS Lite
Page 7:	Warranty Information & Registration

POWERING YOUR PEDALS With The POWER PAD II Switching Power Supply



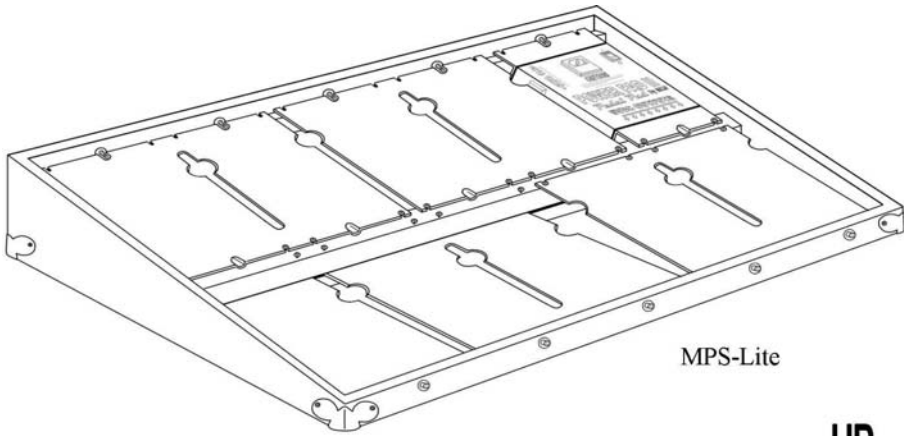
The Power Pad II can be placed anywhere on your Pedal Pad. It is interchangeable with any of the aluminum pads.

Specifications:

Input Voltage:	Universal 90 to 264 VAC
Input Frequency:	47 to 63 Hz
Input Current:	6 Amps (fuse protected)
Output Voltage 1:	Equivalent to the Input Voltage
Output Voltage 2:	9 Volts DC (8 Outputs)
DC Current:	1.67 Amps (1670 mA)
Line Regulation:	+/- 0.5% Max
Load Regulation:	+/- 1.0% Max
Short Circuit Protection:	Continuous
Connections:	AC In— IEC Style grounded cord DC Out— 2.1mm (IS) 5.5mm (OS)

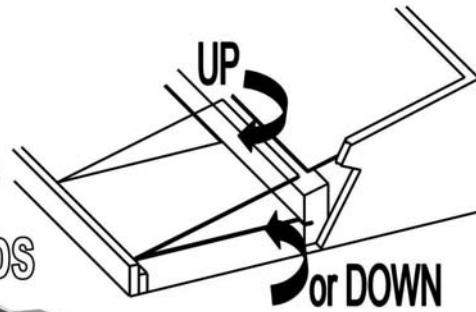
The Power Pad II Switching Power Supply allows you to power just about any pedal on the market, while providing continuous short circuit protection through the 9VDC outputs. Most pedals being manufactured today use 9VDC power. In the event you have a pedal which is AC powered, 12 or 18 volts, or has a polarity opposite from the other pedals in your set-up, the Power Pad II has an AC courtesy outlet which allows you to draw up to 6 amps of current. The AC courtesy outlet allows you to use the pedal manufacturer's transformer (wall wart) or to plug in a power strip for multiple AC outlet capabilities.

The Power Pad II will provide 9VDC power in any country in the world since it is a switching power supply which has an input voltage range of 90 to 264 VAC. However it is very important to know that the voltage going into the AC input of the Power Pad II is the same voltage value that comes out of the AC courtesy outlet. **Components which are powered by the AC courtesy outlet must be designed to run on voltages consistent with voltages supplied by the country you are in.**

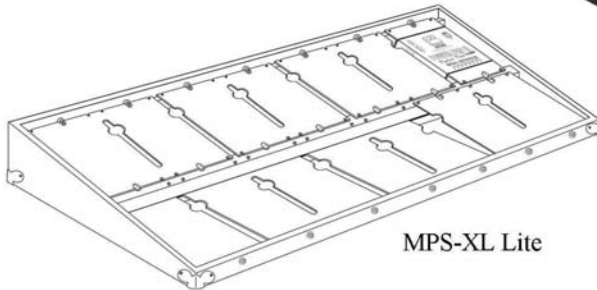


MPS-Lite

MIPS Models *Lite* SERIES PEDAL BOARDS



See Page 3. for information
on powering your pedals.

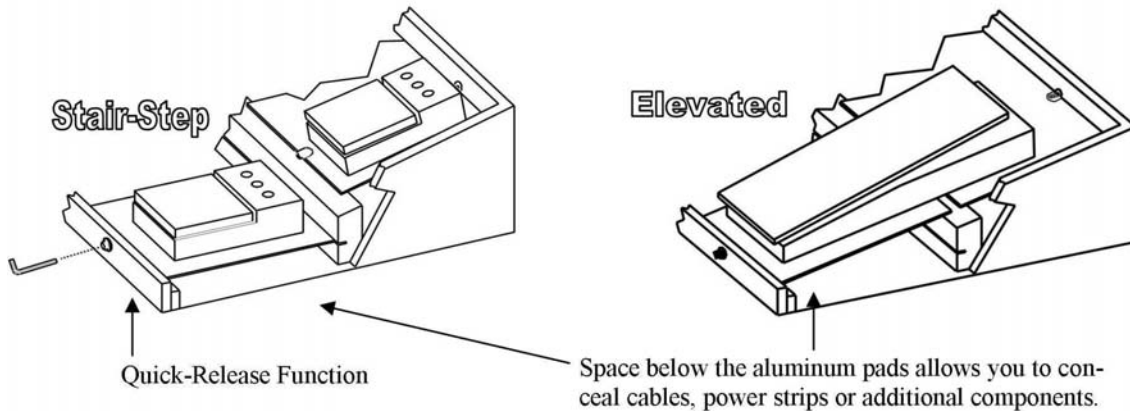


MPS-XL Lite



MPS-Lite & MPS-XL-Lite Features

- Padded Gig Bag
- Lower Profile
- Roadworthy Textured Finish
- Lighted Logo
- Patented Adjustable Two-Tier Design
- Power Pad II Switching Power Supply
- Includes:
 - 8 DC Power Cables
 - 10' AC Cable
 - Hook & Loop Pedal Fasteners
- Expanded Size W/14 Spaces (MPS-XL-Lite Only)



The MPS and MPS-XL Lite's Quick-Release fasteners allow you to release the aluminum pads so that you can elevate the lower panels to meet the pitch of the second tier. Longer pedals can then be placed across both tiers.

Removing the aluminum pads is also useful during the initial set-up of your Pedal Pad. In order to conceal your cables, you will most likely need to remove the aluminum pads.

The hex wrench, which loosens the quick-release screws is located in the upper right-hand inside corner of the Pedal Pad.



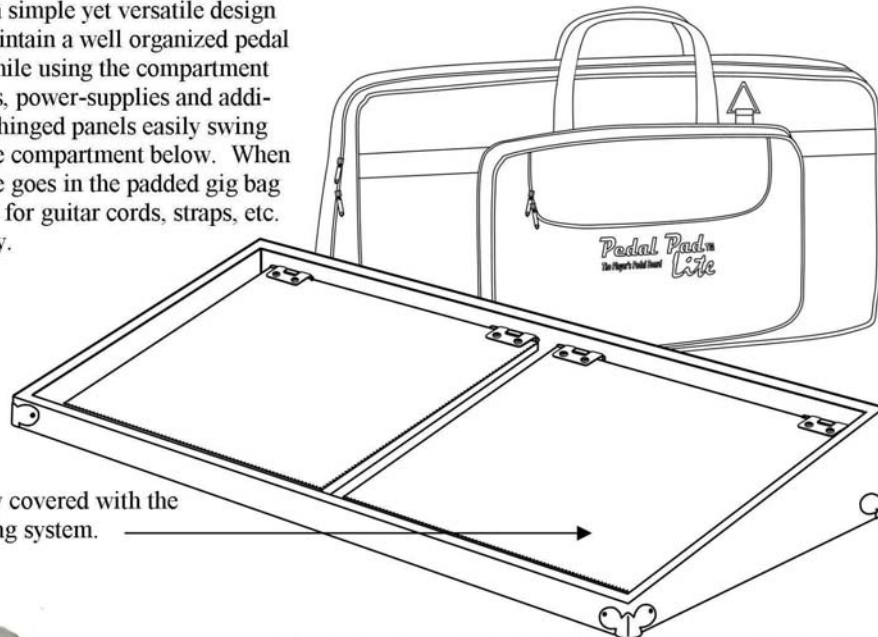
The MPS Lite and MPS-XL Lite come with an edge-lit display which is plugged into one of the 9vdc power outlets on the Power Pad II. The display will automatically illuminate when the power to the Power Pad II is switched on.



MPS Lite and MPS-XL Lite each come with 2" wide hook and loop fastener with adhesive back to be applied to the aluminum pads and to the bottom side of your pedals.

AXS Lite

Pedal Pad AXS Lite is a simple yet versatile design which allows you to maintain a well organized pedal configuration on top, while using the compartment below for cable routings, power-supplies and additional effects. The two hinged panels easily swing up for easy access of the compartment below. When the gig is over AXS Lite goes in the padded gig bag with its zippered pocket for guitar cords, straps, etc. and you are on your way.

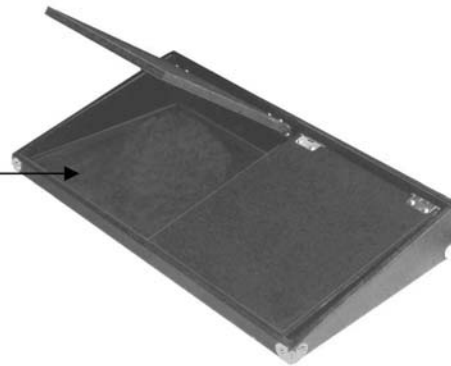


Pedal surface is entirely covered with the loop side of the fastening system.



Included with the AXS is 2" wide hook fastener with adhesive back to be applied to the bottom side of your pedals.

Lower compartment can be used for cable routing, power supplies and additional effects.



The AXS Lite comes with an edge-lit display which can be plugged into a 9vdc power supply using a 2.1mm barrel style connector.

MKS Professional Stage Products, Inc. warrants to the user that this product will be free from defects of workmanship under normal use for a period of three years from the date of original purchase. During that period, *MKS Professional Stage Products, Inc.*, either through the factory or an independent servicing dealer will repair or replace a defective product (as decided solely by *MKS Professional Stage Products, Inc.*) free of charge for parts and labor. *MKS Professional Stage Products, Inc.* may replace any defective part with either a new or remanufactured part at *MKS*' sole option. Shipping charges to and from an authorized servicing dealer or the factory must be prepaid by the owner.

This warranty only applies to the original owner and is not transferable. THE EXPRESS WARRANTIES MADE HEREIN ARE EXCLUSIVE AND MAY NOT BE ALTERED, ENLARGED, OR CHANGED BY ANY DISTRIBUTOR, DEALER, OR OTHER PERSON. MKS PROFESSIONAL STAGE PRODUCTS, INC. IS NOT RESPONSIBLE FOR ANY SPECIAL, INCIDENTAL, OR CONSEQUENTIAL PROPERTY DAMAGES unless this exclusion of incidental or consequential damages is contrary to law. All replacement parts, whether new or remanufactured, are warranted for only the time period that remains for the entire unit.

This warranty may be cancelled by *MKS Professional Stage Products, Inc.* at its sole discretion if it is determined that the product has been physically abused or has been modified in any way without the written authorization of *MKS Professional Stage Products, Inc.*

Please fill out the warranty card and return to *MKS Professional Stage Products, Inc.* If you do not send the completed warranty card to *MKS Professional Stage Products, Inc.* and subsequently seek to invoke warranty coverage, you will need to send a copy of the original purchase invoice showing the date of purchase with the product. If the product must be shipped, the product must be securely packaged and insured. *MKS Professional Stage Products, Inc.* has no responsibility for damage that occurs during shipping. When sending the unit for repair, please send a written explanation of the problem and include your name, address and daytime phone number. Equipment returned to the factory for service must be accompanied by a service authorization number. To receive a service authorization number, please call *MKS Professional Stage Products, Inc.* between 9 a.m. and 5 p.m. U.S. Central Time, Monday—Friday, at (785) 862-4723 or fax to (785) 862-5723. Please include your service authorization number on your package